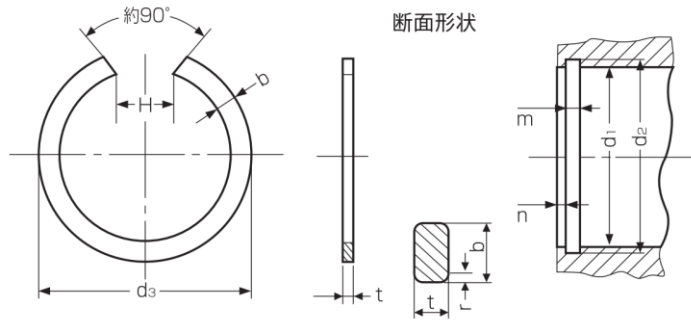


# 轴承用同心挡圈（BR孔用）规格表



产品的称呼 如 轴承用同心挡圈孔用7或BR7

| 型 号 | 挡 圈   |           |       |            |      |            | 适 用 轴 |      |       |            |      |            |
|-----|-------|-----------|-------|------------|------|------------|-------|------|-------|------------|------|------------|
|     | d3    |           | t     |            | b    |            | H     | d1   | d2    |            | m    |            |
|     | 基本尺寸  | 公差        | 基本尺寸  | 公差         | 基本尺寸 | 公差         | 基本尺寸  | 基本尺寸 | 公差    | 基本尺寸       | 公差   |            |
| 85  | 87.6  | +1.5<br>0 | 2.0   | ±0.06      | 3.4  | ±0.08      | 12.0  | 85   | 86.8  | +0.35<br>0 | 2.16 | +0.14<br>0 |
| 86  | 88.6  |           |       |            |      |            |       | 86   | 87.8  |            |      |            |
| 88  | 91.0  |           |       |            |      |            |       | 88   | 90.0  |            |      |            |
| 90  | 93.0  |           |       |            |      |            |       | 90   | 92.0  |            |      |            |
| 92  | 95.0  |           |       |            |      |            |       | 92   | 94.0  |            |      |            |
| 93  | 96.0  |           |       |            |      |            |       | 93   | 95.0  |            |      |            |
| 95  | 98.0  |           |       |            |      |            |       | 95   | 97.0  |            |      |            |
| 97  | 100.0 |           |       |            |      |            |       | 97   | 99.0  |            |      |            |
| 98  | 101.0 |           |       |            |      |            |       | 98   | 100.0 |            |      |            |
| 100 | 103.0 |           |       |            |      |            |       | 100  | 102.0 |            |      |            |
| 102 | 105.3 |           |       |            |      |            |       | 102  | 104.3 |            |      |            |
| 103 | 106.3 |           |       |            |      |            |       | 103  | 105.3 | +0.54<br>0 |      |            |
| 105 | 108.3 |           |       |            |      |            |       | 105  | 107.3 |            |      |            |
| 107 | 110.3 |           |       |            |      |            |       | 107  | 109.3 |            |      |            |
| 108 | 111.3 |           |       |            |      |            |       | 108  | 110.3 |            |      |            |
| 110 | 113.4 |           |       |            |      |            |       | 110  | 112.3 |            |      |            |
| 112 | 115.4 |           |       |            |      |            |       | 112  | 114.3 |            |      |            |
| 113 | 116.4 |           |       |            |      |            |       | 113  | 115.3 |            |      |            |
| 115 | 118.4 |           |       |            |      |            |       | 115  | 117.3 |            |      |            |
| 117 | 120.4 |           |       |            |      |            |       | 117  | 119.3 |            |      |            |
| 118 | 121.4 | 118       | 120.3 |            |      |            |       |      |       |            |      |            |
| 120 | 123.5 | 120       | 122.3 | +0.63<br>0 | 2.66 | +0.18<br>0 |       |      |       |            |      |            |
| 123 | 126.6 | 123       | 125.3 |            |      |            |       |      |       |            |      |            |
| 125 | 128.6 | 125       | 127.3 |            |      |            |       |      |       |            |      |            |
| 127 | 130.6 | 127       | 129.3 |            |      |            |       |      |       |            |      |            |
| 130 | 133.7 | 130       | 132.3 |            |      |            |       |      |       |            |      |            |
| 133 | 136.7 | 133       | 135.3 |            |      |            |       |      |       |            |      |            |
| 135 | 138.7 | 135       | 137.3 |            |      |            |       |      |       |            |      |            |
| 137 | 140.7 | 137       | 139.3 |            |      |            |       |      |       |            |      |            |
| 140 | 144.1 | 140       | 142.6 |            |      |            |       |      |       |            |      |            |
| 143 | 147.1 | 143       | 145.6 |            |      |            |       |      |       |            |      |            |
| 150 | 154.2 | 150       | 152.6 | 4.0        | 16.0 |            |       |      |       |            |      |            |
| 153 | 157.2 | 153       | 155.6 |            |      |            |       |      |       |            |      |            |
| 160 | 164.3 | 160       | 162.6 |            |      |            |       |      |       |            |      |            |
| 163 | 167.3 | 163       | 165.6 |            |      |            |       |      |       |            |      |            |
| 165 | 169.3 | 165       | 167.6 |            |      |            |       |      |       |            |      |            |
| 170 | 174.4 | 170       | 172.6 |            |      |            |       |      |       |            |      |            |
| 173 | 177.4 | 173       | 175.6 |            |      |            |       |      |       |            |      |            |
| 175 | 179.4 | 175       | 177.6 |            |      |            |       |      |       |            |      |            |

材质：SWB或SWC 硬度：HRC40-50